



Saturday September 9th, 11am – 2 pm at Waite Park

Join us on Saturday, September 9th for the Ninth Annual Waite Park Pushcart Derby! Teams from all over Northeast Minneapolis will have a chance to take home the title of Pushcart Champion as well as a total of **\$400* in prize money!** Stick around after the Derby for food, music and games for the kiddies (including a bouncy castle).

How do I build a pushcart?

Pushcart Building Basics Diagram (*see attached*)

Maybe you're thinking, "How do I build a pushcart?" – we've got you covered. Below is a sample diagram for building a pushcart, but don't stop there. Get creative! The only additional requirement for the cart, which is not shown on the sample diagram, is that **it must have some form of seat belt** or straps to secure the driver to the cart. Please note this when working on your final design – no carts will be admitted to the race without a seat belt.

The day of the race

Check-in and Registration begins at 11:00 am
Preliminary Races begin at Noon

Each team must consist of **one** driver and **two** pushers. **Three** team members total. Team members must be 10 years old or older to compete on team – under 18 must have a parent or legal guardian's signed permission. No sandals or flip flops; all team members must wear closed-toed shoes. All entrants must have signed waivers on file with the race organizers prior to competition.

Official Rules and Registration Form (*see attached*)

Registration Fee: NONE - WAIVED FOR 2017 RACE (A \$20.00 value)

Please mail your completed registration form by September 5th, 2017 to:** Waite Park Community Council, ATTN: Pushcart Derby, P.O. Box 18476, Minneapolis, MN 55418.

*\$200 for 1st place in the race, \$100 for 2nd place in the race, 3rd place in the race will receive a Waite Park swag bag. The winner for Most Creative Pushcart Design will receive \$100. If a pushcart team uses a WPCC provided pushcart, any winnings must be donated to a non-profit organization that serves Northeast Minneapolis. Swag bag prizes are not redeemable for cash.

**Registrations will also be permitted the morning of the event, but we appreciate your preregistration in order to better prepare.



Saturday September 9th, 11am – 2 pm at Waite Park

OFFICIAL PROCEDURES, SCHEDULE, PRIZES AND RULES

TEAM CAPTAINS: Please distribute this information to ALL team members.

PROCEDURES & SCHEDULE:

1. IMPORTANT-All team members (2 pushers and 1 driver) for each pushcart team must arrive to Waite Park by 11:00 am to sign in, meet with Derby Refs and Officials and for the pushcart safety inspection. Carts that do not meet race readiness requirements will NOT be allowed to race, but will be allowed to enter the “Most Creative Cart” competition.
2. All pushcarts teams must be familiar with the racetracks and partake in practice runs before the official races begin.

11:00 MANDATORY – Inspections:

Pushcart Team Meeting/Derby Refs and Officials will inspect all pushcarts.

11:30 MANDATORY - Pushcart practice runs:

If your pushcart does not meet race readiness requirements by 12:00pm, your team cannot race. However, your team may be allowed to enter the “Most Creative Cart” competition.

12:00 - Drag races for qualifying times.

1:00 Competition Races:

Teams will be divided into Championship and Consolation brackets and seated in heats based on qualifying times.

Please note: All times subject to change without notice.

PRIZE ALLOCATIONS:

1. \$200 for 1st place in the race
2. \$100 for 2nd place in the race
3. 3rd place in the race will receive a Waite Park swag bag
4. Winner for Most Creative Pushcart Design will receive \$100

Please note: If a pushcart team uses a WPCC provided pushcart, any winnings must be donated to a non-profit organization that serves Northeast Minneapolis. Swag bag prizes are not redeemable for cash.



Saturday September 9th, 11am – 2 pm at Waite Park

OFFICIAL PROCEDURES, SCHEDULE & RULES, continued

PUSHCART RULES:

1. Carts must not have any protruding parts (long bolts, large pieces of wood, knives, etc.).
2. Official derby referees must approve all carts before competing in races.
3. All drivers/riders must wear a helmet (bike or motorcycle).
4. Steering by the pushers or drivers is permitted.
5. Carts must be equipped with the following safety items:
 - Driver seat belt (must be securely attached and fit the driver appropriately)
 - Push bar
6. NO: pull carts, rickshaws, etc (carts must be pushed; not pulled).

TEAM RULES:

1. Each team must consist of one driver/rider and two pushers – three team members total.
2. Team members must be 10 years old or older to compete on team (pushcart team members 10-17 years old need parent's permission).
3. All pushcart racing team members must wear helmets.
4. Team members may not wear sandals or flip-flops while competing in races; all team members must wear closed-toed shoes.
5. All entrants must have signed waivers on file with Official Race Organizer (Waite Park Community Council) prior to competition.

RACING RULES:

1. Official Derby Referees will oversee all races – decisions by the refs are final.
2. Races will start with front wheels of each pushcart on starting line.
3. Racers must stay within their own race lanes from start to finish. Blocking or cutting-off of competing racers will result in team disqualification or do-over.
4. False starts will result in team disqualification or do-over.
5. Race winners will be determined by which cart's front wheels cross the finish line first.

Questions? Connect with us online at WaiteParkNeighborhood.org or e-mail us at pushcartderby@waiteparkcc.org.

Please note: The Waite Park Community Council reserves the right to modify the official procedures and rules at any time without notice.



Saturday September 9th, 11am – 2 pm at Waite Park

PUSHCART TEAM REGISTRATION & WAIVER

I have read and understand the pushcart derby rules and procedures. I understand that my team will not qualify to participate if our pushcart is not compliant. I release, waive, and discharge the Official Race Organizer (Waite Park Community Council), City of Minneapolis, Minneapolis Parks and Recreation, participants, associations, sanctioning organizations, (or any affiliates thereof), from liability of all claims, demands, losses or damages on account of any injury, including, but not limited to the death or injury of the participants or damage to property, or any negligence claims with exception to intentional torts.

REQUIRED: Driver and Pushers must be 10 years of age or older. If a team member is a minor, 10-17 years of age, the signature of a parent or legal guardian is required for each minor. All team members (and parents if necessary) must sign below to participate.

Team Name (please print): _____ Date: _____

Team Captain (please print): _____

Address: _____ City: _____ Zip: _____

Sponsoring business or organization: _____

Team Member 1 (please print) Team Member 1 Signature Age 10-17: Y / N

Parent Name (please print) Parent Signature Date

Team Member 2 (please print) Team Member 2 Signature Age 10-17: Y / N

Parent Name (please print) Parent Signature Date

Team Member 3 (please print) Team Member 3 Signature Age 10-17: Y / N

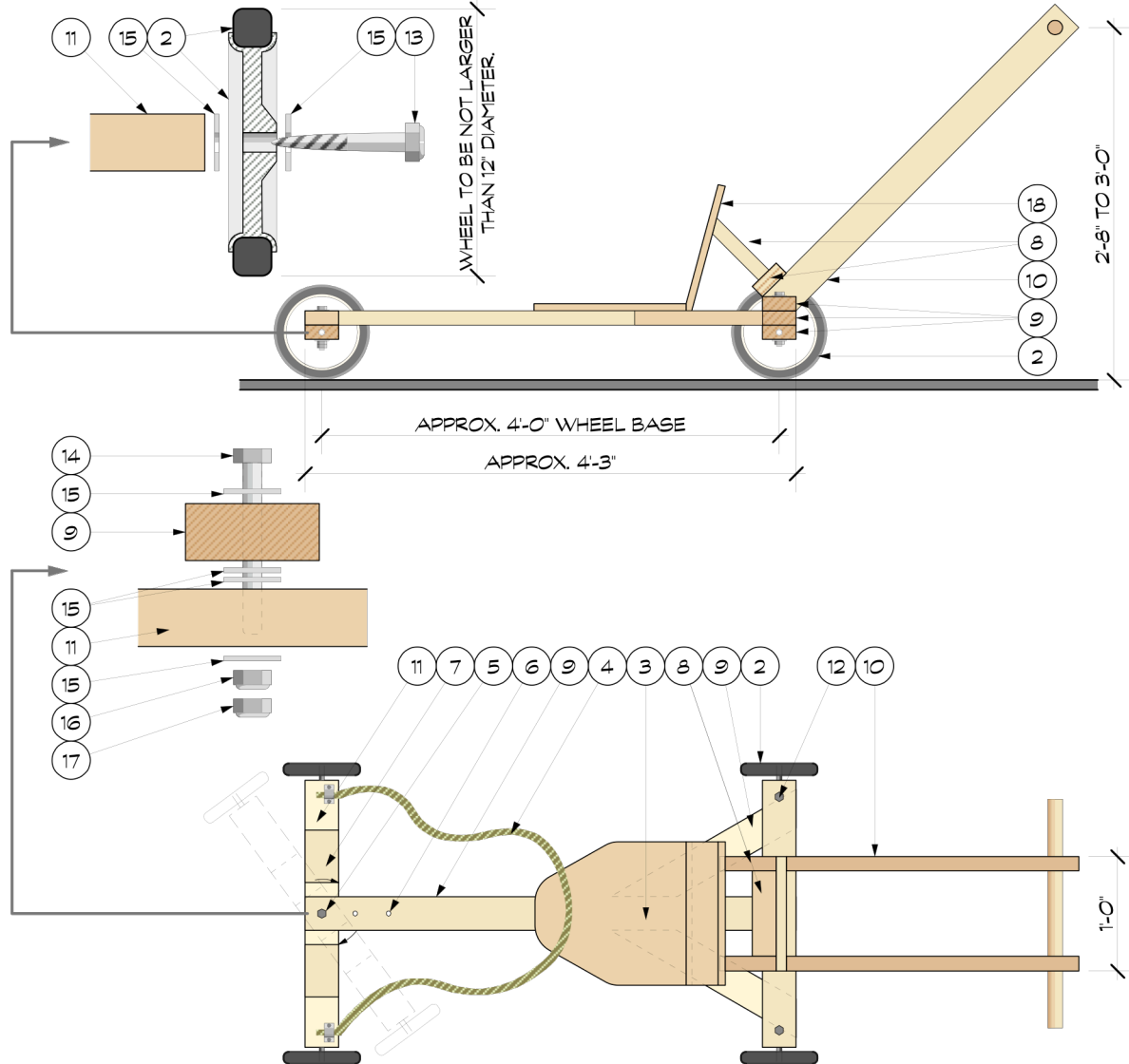
Parent Name (please print) Parent Signature Date

Registration Fee: NONE – WAIVED FOR 2017 RACE (A \$20.00 value)

Please mail your completed registration form by September 5th, 2017 to: Waite Park Community Council, ATTN: Pushcart Derby, P.O. Box 18476, Minneapolis, MN 55418.

PUSH CAR SUGGESTED PLANS

FEEL FREE TO CREATE YOUR OWN PUSH CAR
 PLANS COURTESY OF SKYLINE DISTRICT BSA, HOUSTON, TX



NOTES TO DRAWING

- 1 WOOD PUSH BAR 1 1/2" DIAMETER.
- 2 WHEELS NOT TO BE LARGER THAN 12" DIAMETER.
- 3 3/8" OR 1/2" PLYWOOD SEAT 15" WIDTH X 20" LONG.
- 4 STEERING BRIDLE, 1/4" NYLON ROPE. OPTIONAL.
- 5 STEERING MACHINE BOLT.
- 6 DRILL HOLES ON THE AXEL TO ADJUST CAR TO USER PROPORTIONS.
- 7 2 X 4 SAFETY WOOD BLOCKS, TO LIMIT STEERING ANGLE.
- 8 SEAT POSTS SUPPORT.
- 9 2 X 4 WOOD CAR FRAME.
- 10 2 X 4 HANDLE SUPPORT.
- 11 2 X 4 X 28" WOOD AXLES.
- 12 CARRIAGE BOLT.
- 13 LAG SCREW.
- 14 MACHINE BOLT.
- 15 FLAT WASHER.
- 16 NUT.
- 17 SECOND NUT TIGHTENED AGAINST FIRST NUT TO LOCK.
- 18 3/8" OR 1/2" PLYWOOD SEAT BACK 15" WIDTH X 13" HIGH.

