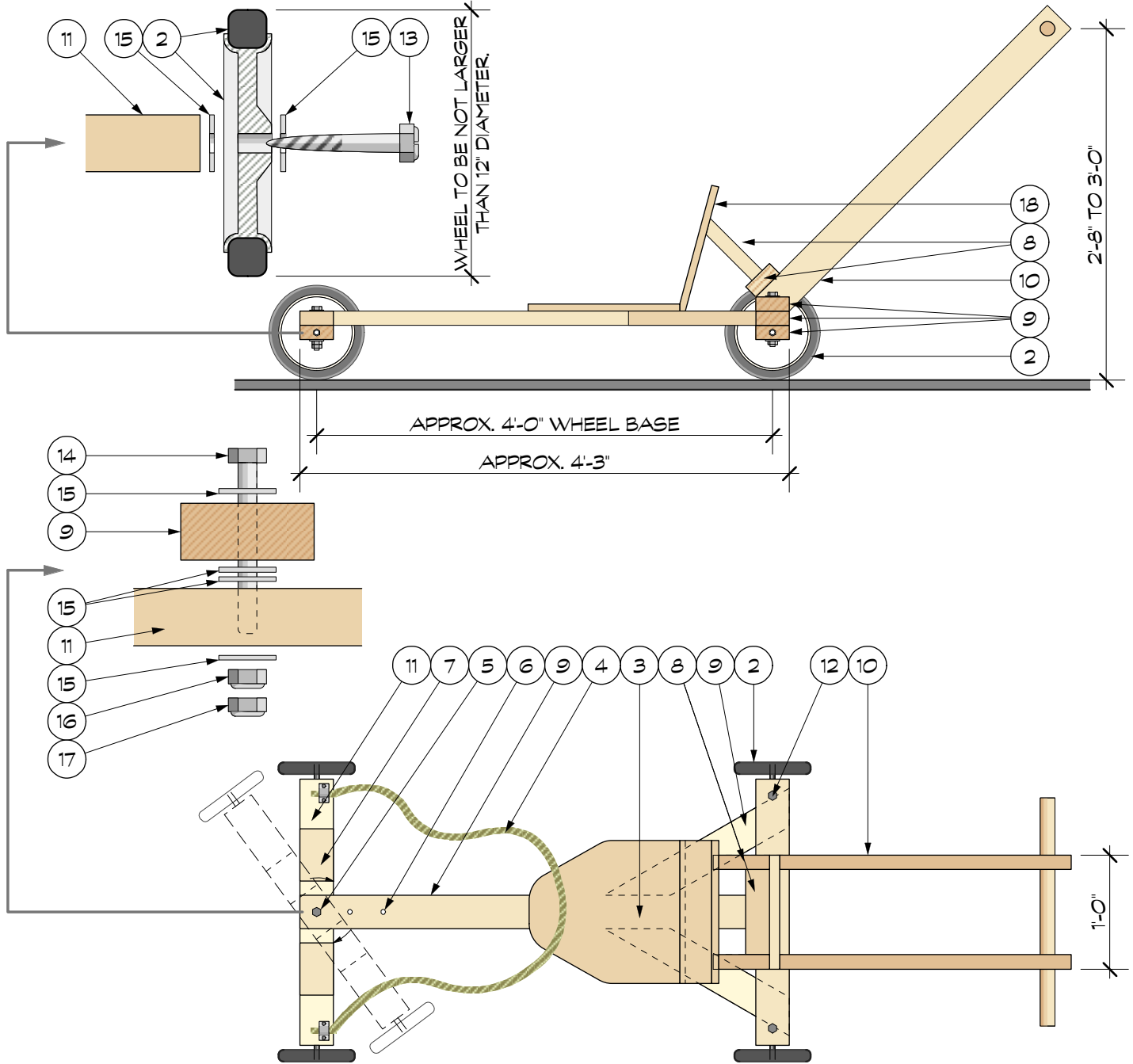


PUSH CAR SUGGESTED PLANS

FEEL FREE TO CREATE YOUR OWN PUSH CAR
PLANS COURTESY OF SKYLINE DISTRIC BSA, HOUSTON, TX



NOTES TO DRAWING

- 1 WOOD PUSH BAR 1 1/2" DIAMETER.
- 2 WHEELS NOT TO BE LARGER THAN 12" DIAMETER.
- 3 3/8" OR 1/2" PLYWOOD SEAT 15" WIDTH X 20" LONG.
- 4 STEERING BRIDLE, 1/4" NYLON ROPE. OPTIONAL.
- 5 STEERING MACHINE BOLT.
- 6 DRILL HOLES ON THE AXEL TO ADJUST CAR TO USER PROPORTIONS.
- 7 2 X 4 SAFETY WOOD BLOCKS, TO LIMIT STEERING ANGLE.
- 8 SEAT POSTS SUPPORT.
- 9 2 X 4 WOOD CAR FRAME.
- 10 2 X 4 HANDLE SUPPORT.
- 11 2 X 4 X 28" WOOD AXLES.
- 12 CARRIAGE BOLT.
- 13 LAG SCREW.
- 14 MACHINE BOLT.
- 15 FLAT WASHER.
- 16 NUT.
- 17 SECOND NUT TIGHTENED AGAINST FIRST NUT TO LOCK.
- 18 3/8" OR 1/2" PLYWOOD SEAT BACK 15" WIDTH X 13" HIGH.

